



GAI-TRONICS®
A HUBBELL COMPANY

SP2 POE Weatherproof Handset/Speaker Amplifier Station

TABLE OF CONTENTS

<i>Confidentiality Notice</i>	<i>1</i>
<i>General Information</i>	<i>1</i>
Product Overview	1
Features	2
Options	2
<i>Installation</i>	<i>3</i>
Important Safety Instructions	3
Enclosure Mounting and Cable Entries	3
Open the Station	4
Field Wiring and Configuration	5
Station Ground.....	5
Termination PCBA	6
Main PCBA—600-Ohm Audio I/O with Control.....	9
POE Interface PCBA	10
<i>Settings and Adjustments</i>	<i>11</i>
Open the Station	11
Main PCBA Configuration	12
Write Protect (EEPROM) Jumper.....	12
WDOG Enable (Watchdog) Jumper	12
Boot Enable Jumper.....	12
Reset Switch.....	12
Speaker and 600-ohm Audio Output Volume.....	13
Receiver Volume	13
Group and Station Number Selector Switches.....	14
Main PCBA Indicators	14
Power LED.....	14
Heartbeat LED	14
Ethernet Connection LEDs	14
Five Configurable LEDs	14
Front Cover Installation	14
<i>Programming</i>	<i>15</i>
<i>Operation</i>	<i>15</i>
Standard Handset Paging	15

Party Line Communication	15
All-Call Button Use	16
Alternate-Page Destination Switch Use	17
Headset Use	17
<i>Maintenance</i>	<i>18</i>
Troubleshooting	18
Service and Spare Parts	19
<i>Reference Documentation</i>	<i>19</i>
<i>Specifications</i>	<i>19</i>
Power Consumption	19
Ethernet	19
RTU	19
Audio	20
Mechanical	20
Environmental	21
<i>Approvals</i>	<i>21</i>



GAI-TRONICS®
A HUBBELL COMPANY

SP2 POE Weatherproof Handset/Speaker Amplifier Station

Confidentiality Notice

This manual is provided solely as an installation, operation, and maintenance guide and contains sensitive business and technical information that is confidential and proprietary to GAI-Tronics. GAI-Tronics retains all intellectual property and other rights in or to the information contained herein, and such information may only be used in connection with the operation of your GAI-Tronics product or system. This manual may not be disclosed in any form, in whole or in part, directly or indirectly, to any third party.

This product contains copyrighted computer programs stored in semiconductor memory. These programs are copyrighted by GAI-Tronics Corporation and may not be reproduced in any form without express written permission from GAI-Tronics.

General Information

Product Overview

The GAI-Tronics SP2 station is a modular industrial multicast VoIP (Voice over Internet Protocol) communication system. The default SP2 weatherproof POE configuration is an outdoor, multi-party, handset/speaker amplifier station using POE with RTU control. They are constructed of engineered plastic with a powder coated aluminum front panel. A number of options are available to add to or modify station capabilities (see the [Features](#) and [Options](#) sections below).

SP2 stations connect to an Ethernet network so the loss of a single station will not adversely affect the entire system. Each station requires a 100 Mbps link to a switch or router using Category 5e or better Ethernet cable. Isolate SP2 network traffic from other network devices to ensure the quality of SP2 audio. Properly configure network switches and routers for IGMP (Internet Group Management Protocol) snooping and multicast filtering. Maximum cable runs between SP2 stations and network switches are limited to 100 meters to comply with Ethernet standards.

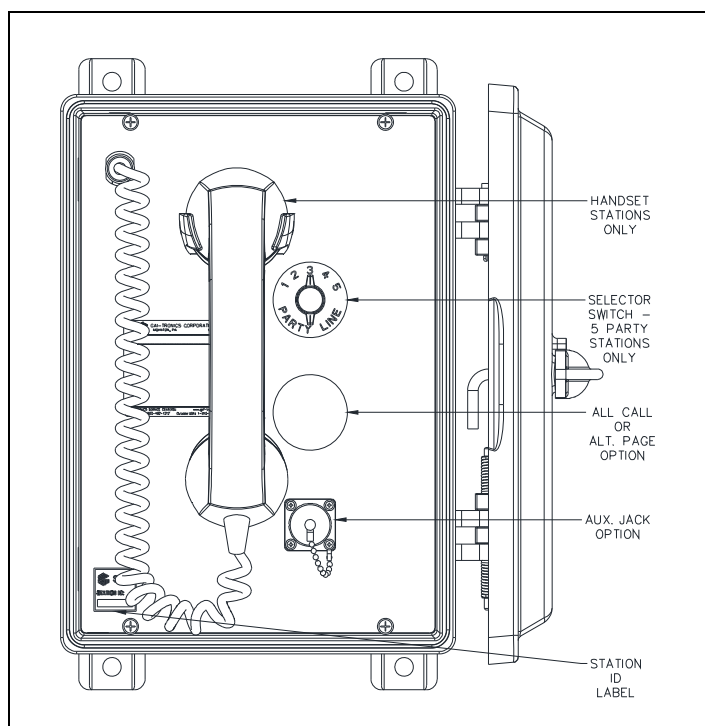


Figure 1. SP2 Station Front Panel

Features

- flexible and highly configurable SMART technology featuring ALS (ambient level sensing), real time self-diagnostics, and available remote monitoring
- real-time operation providing instantaneous page and party line communication
- no SIP server or conference bridge requirement
- one-way live paging and alarm annunciation over system speakers
- distributed amplifier topology—loss of an individual amplifier will not adversely affect the system as a whole
- mutual provisioning mode allows easy system deployment
- high efficiency (>80%) Class D paging amplifier provides up to 14 watts of speaker output at 8 Ω when powered by POE Plus, 6 watts of speaker output when powered via POE.
- five configurable multicast channels for full-duplex conference communication with party line selector switch
- eight configurable multicast channels for receiving page announcements
- one isolated output for beacon activation
- two isolated inputs
- 600-ohm audio I/O with control
- configurable priority scheme allows urgent/emergency pages to override less important pages
- configuration stored in non-volatile memory
- field adjustable volume control for handset earpiece, headset earpiece, and speaker amplifier
- configurable local and nearby speaker mutual muting to prevent acoustic feedback of live pages
- configurable pre-announcement tone
- off-hook and page switch timeout functionality
- configurable virtual zoning ability
- USB interface for field or bench configuration
- engineered plastic enclosure with powder coated aluminum front panel

Options



All SP2 station options are factory installed.

- speaker amplifier only (no handset)
- headset with page pressbar for loud environments
- five configurable multicast channels for alternate page destinations with page line selector
- All-Call push button for secondary page destination
- PVC or Hytrel[®] handset cords in 6-, 15-, or 25-foot lengths
- conformal coating for PCBA

Installation

Important Safety Instructions

- **Read, follow, and retain instructions**—Read and follow all safety and operating instructions before installing or operating the unit. Retain instructions for future reference.
- **Heed warnings**—Adhere to all warnings on the unit and in the operating instructions.
- **Attachments**—Do not use attachments not recommended by the product manufacturer, as they may cause hazards.
- **Servicing**—Do not attempt to service this unit. Opening or removing covers may expose dangerous voltage or other hazards. Refer all servicing to qualified service personnel.

 **ATTENTION**  —Install equipment without modification and according to all applicable local, national, and international electrical codes. North America—Consult the National Electrical Code (NFPA 70), Canadian Standards Association (CSA 22.1), and local codes for specific requirements regarding your installation. Install Class 2 circuit wiring in accordance with the NEC.

 **WARNING**  —**Do not disconnect equipment while energized.**
Ensure proper grounding to protective earthing.

Only trained, qualified, and competent personnel must install these enclosures. Installation must comply with state and national regulations, as well as safety practices for this type of equipment.

Enclosure Mounting and Cable Entries

Mount the enclosure to a flat surface that provides proper clearance, rigidity, and strength to support the enclosure and all contained devices.

1. Mount the enclosure using the four 0.437-inch (11 mm) diameter holes located on the mounting flanges with 3/8-inch (M8) hardware (see [Figure 2](#)).
 - The suggested mounting height for all station enclosures is 48 inches (1219 mm) to the center of the bottom mounting holes of the enclosure.
 - SP2 stations are not supplied with conduit or cable openings.
2. Remove the front panel.
3. Drill or punch entry openings in the rear section of the enclosure (see [Figure 2](#)).
 - The station is suitable for bottom and/or side entry.
 - *Recommended:* Bottom entry prevents condensation that may form in the conduit from dripping onto the termination PCBA.
 - The minimum material (spacing) between entry holes is ½ inch (13 mm).

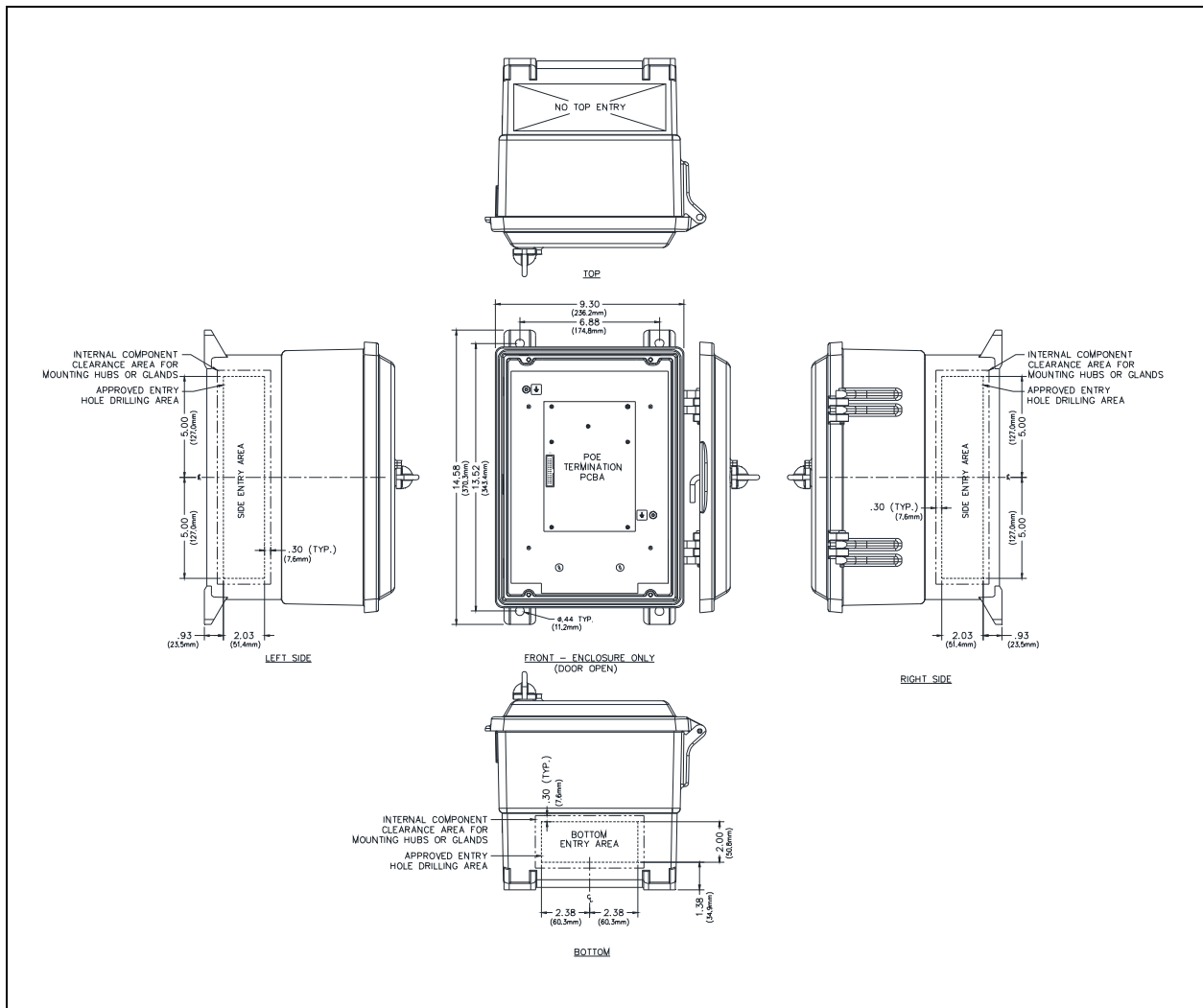


Figure 2. Suggested Wire Entry Locations

Open the Station

Complete the following steps to open the station:

1. Remove the four screws from the front panel and turn it to the left so that the interior surface faces out (see Figure 3).
2. Keep the wiring and ribbon cables connected.

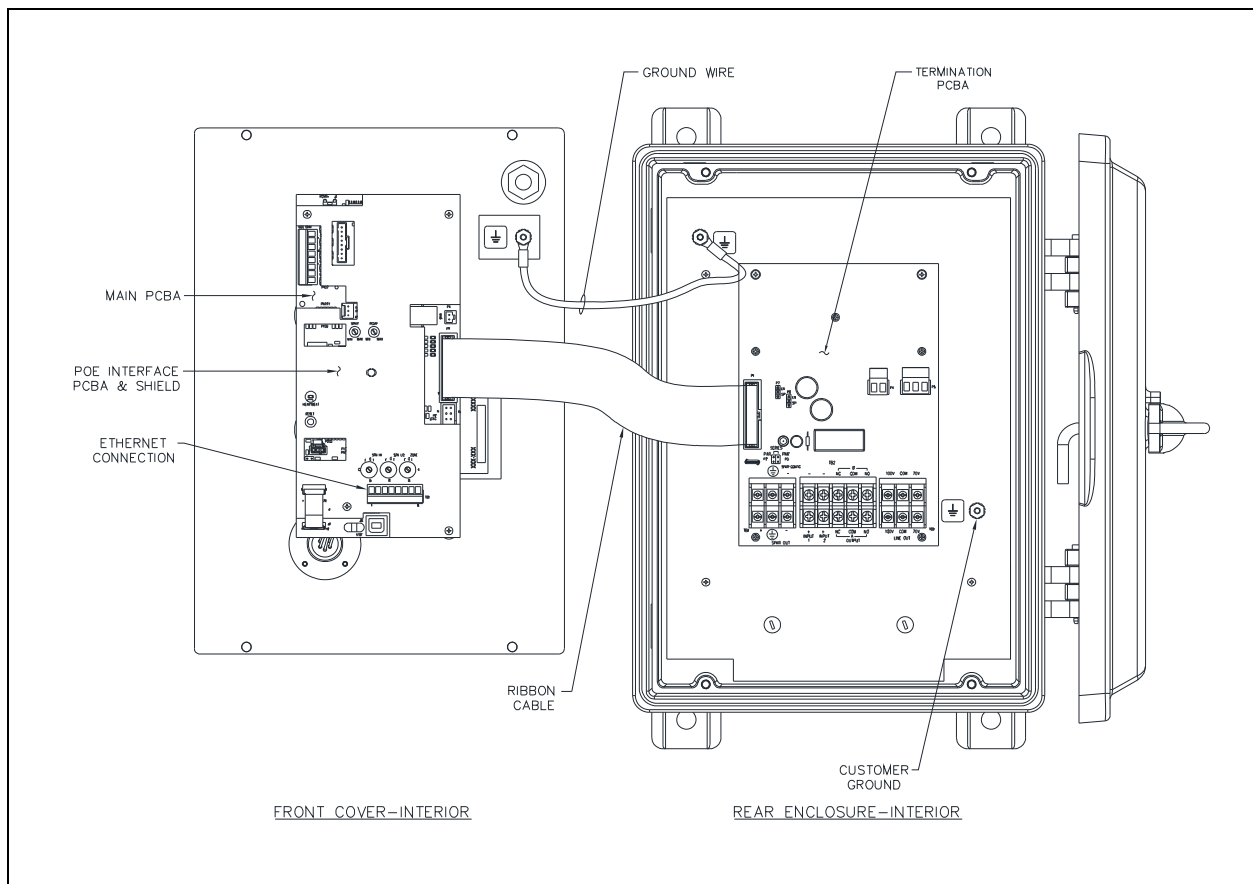


Figure 3. SP2 Weatherproof POE Station—Interior View

Field Wiring and Configuration

The weatherproof POE SP2 station provides terminal blocks on the termination PCBA, located in the rear of the enclosure, for field wiring the speaker and I/O connections. The main PCBA, mounted to the back of the front panel, contains the 600-ohm audio connection. The Ethernet connection is on the POE interface PCBA, mounted on top of the main PCBA.

NOTE: Consult the National Electrical Code (NFPA 70), Canadian Standards Association (CSA 22.1), and local codes for the specific requirements regarding your installation. Install all equipment without modification and according to local and national codes. Install Class 2 circuit wiring in accordance with the NEC.

NOTE: SP2 stations require shielded Ethernet cable or metallic conduit.

Station Ground

The station enclosure must have an earth ground connection:

1. Install a #6 ring lug on the ground conductor.
2. Secure it to the ground terminal located in the lower right corner at the back of the rear enclosure (see [Figure 3](#)).

Termination PCBA

Direct Speaker Connection and Jumper Settings

Terminate the station's 8 or 16-ohm remote speaker(s) at terminal block TB1:

1. Pull the speaker cable(s) into the enclosure.
2. Install spade lugs on the wires.
3. Connect the speaker wires to terminal block TB1 (see Table 1).
4. Torque the terminal block screws to 8–10 in·lb (0.90–1.13 N·m).
5. Configure the speaker jumpers; P2 and P3, for the appropriate impedance for use with 8-ohm or 16-ohm speakers (see Figure 4 and Figure 5).
6. Configure jumpers P6 and P7 for 8/16-ohm operation by placing the jumpers in the SP position.

A redundant set of terminals enables connection of a second speaker branch connected in series or parallel with the primary speaker.

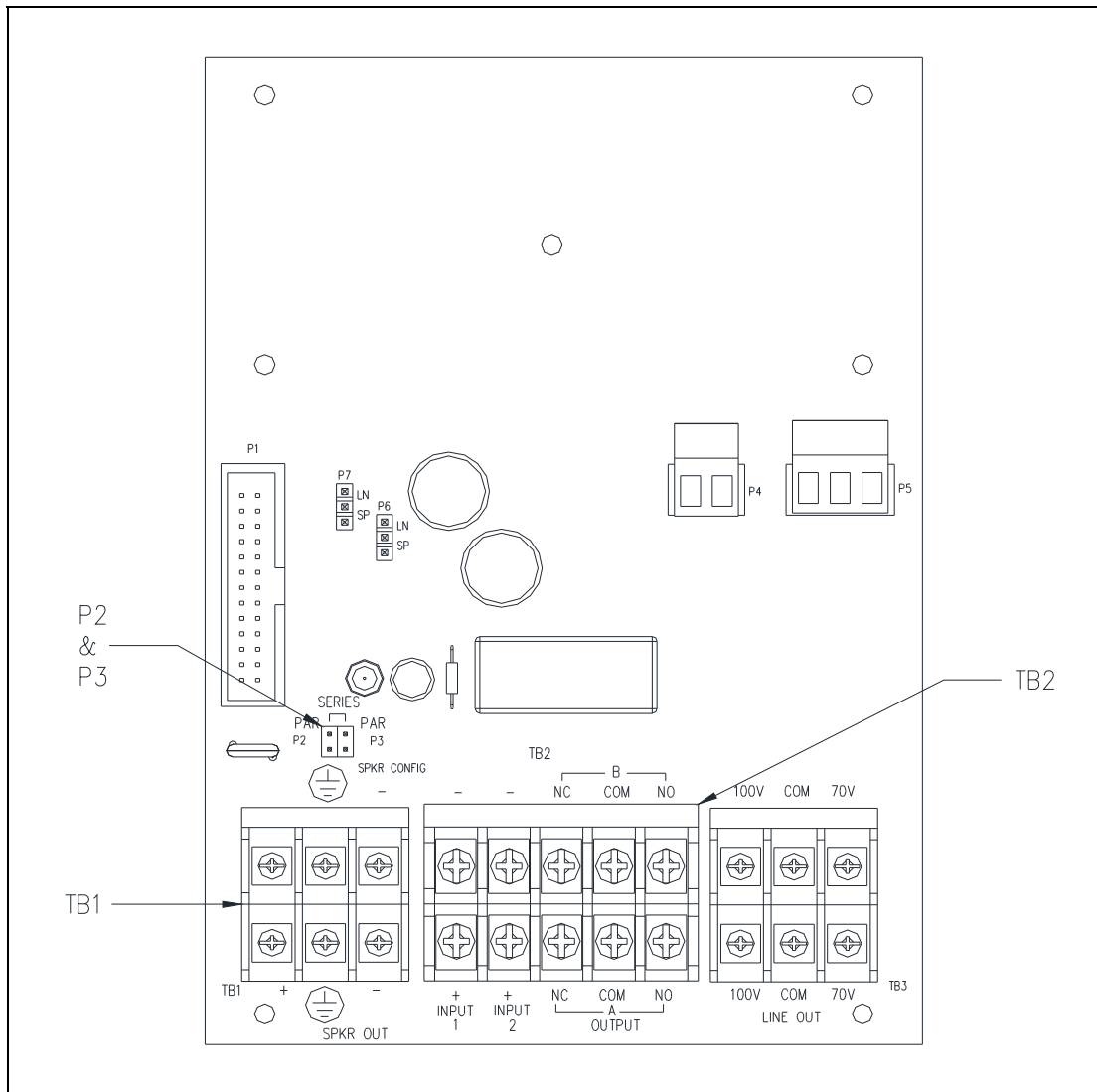


Figure 4. SP2 Termination PCBA (POE Stations)

NOTE: The LINE OUT terminal block, TB3, is not applicable to weatherproof stations. Do not make any connections to this terminal block.

Table 1. Direct Speaker Connections—TB1

Pin	Label	Description
TB1-1	+	Parallel/SPEAKER A Series—Output
TB1-2	⊥	Earth Reference
TB1-3	-	Parallel/SPEAKER A Series—Output
TB1-4	+	Parallel/SPEAKER B Series—Output
TB1-5	⊥	Earth Reference
TB1-6	-	Parallel/SPEAKER B Series—Output

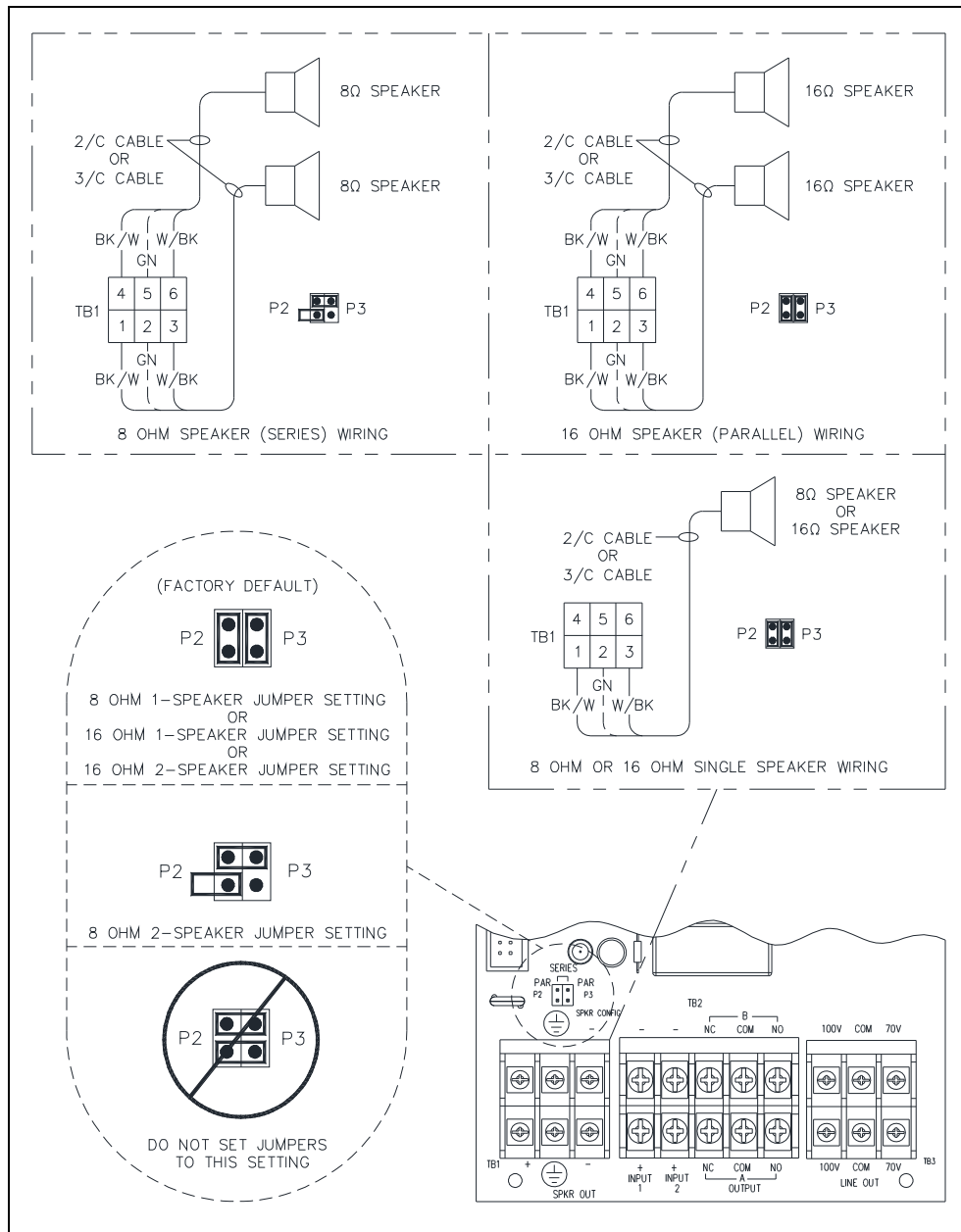


Figure 5. 8/16-ohm Speaker Impedance Configuration

RTU Inputs

The termination PCBA contains two auxiliary RTU inputs. Terminate the inputs at terminal block TB2 (see [Figure 4](#)).

1. Pull the RTU input cable(s) into the enclosure.
2. Install spade lugs on the wires.
3. Connect the RTU input wires to terminal block TB2 (see [Table 2](#)).
4. Torque the terminal block screws to 8–10 in·lb (0.90–1.13 N·m).

Table 2. RTU Input Contacts—TB2

Pin	Label	Function
TB2-1	+ RTU 1 INPUT	RTU Input 1 +
TB2-2	-	RTU Input 1 -
TB2-3	+ RTU 2 INPUT	RTU Input 2 +
TB2-4	-	RTU Input 2 -

RTU Output

A single output relay provides two form C contacts to switch external power to a beacon (see [Figure 6](#)). Terminate the output at terminal block TB2 (see [Figure 4](#)).

1. Pull the RTU output cable into the enclosure.
2. Install spade lugs on the wires.
3. Connect the RTU output wires to terminal block TB2 (see [Table 3](#)).
4. Torque the terminal block screws to 8–10 in·lb (0.90–1.13 N·m).

Table 3. RTU Output Contacts—TB2

Pin	Label	Description
TB2-5	NC A	Normally Closed Output A
TB2-6	NC B	Normally Closed Output B
TB2-7	COM A	Common Output A
TB2-8	COM B	Common Output B
TB2-9	NO A	Normally Open Output A
TB2-10	NO B	Normally Open Output B

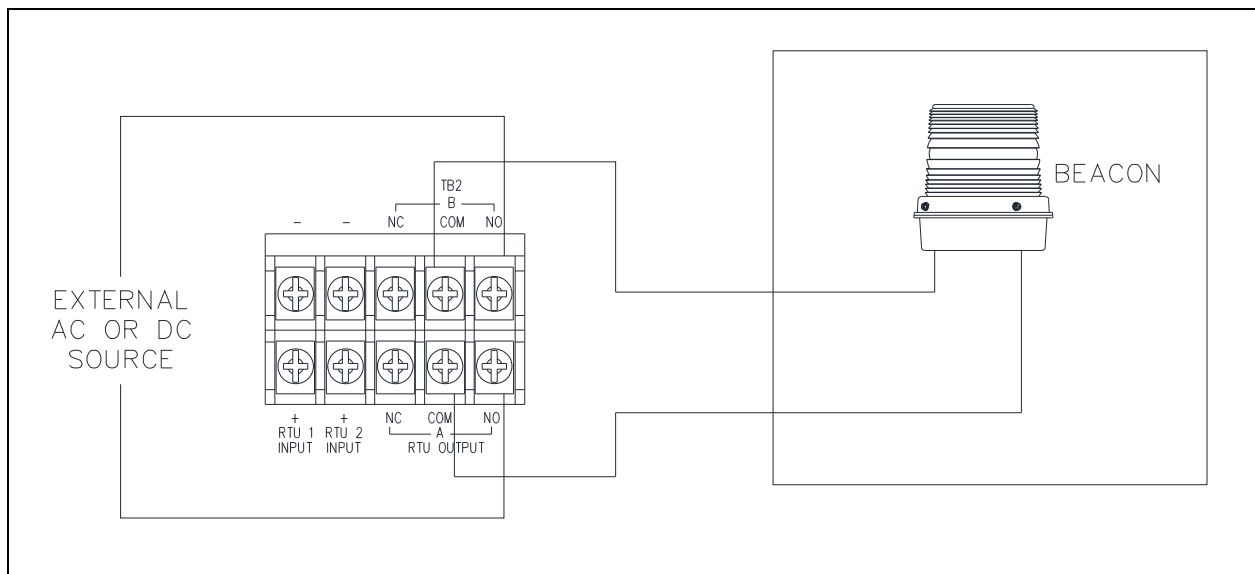


Figure 6. RTU Output Wiring—TB2

Main PCBA—600-Ohm Audio I/O with Control

SP2 stations have a 600-ohm audio input to broadcast line level audio over the page line. The station broadcasts the 600-ohm input audio stream upon closure of a normally open dry contact input control. SP2 stations also provide a 600-ohm audio output for sending page line audio to a remote audio amplifier. A solid-state dry contact relay controls when the remote amplifier plays the audio.

1. Pull the cable for the 600-ohm audio I/O into the enclosure.
2. Install ferrules onto the wire ends.
3. Connect the 600-ohm audio wires to the pluggable terminal block for the 600-ohm audio I/O connection (see Table 4 and Figure 7).
4. Connect the pluggable terminal block to terminal block receptacle TB1.

Table 4. 600-Ohm Audio I/O Interface Connections—TB1

Pin	Label	Description
TB1-1	IN CT1+	Input Control Positive
TB1-2	IN CT1-	Input Control Negative
TB1-3	IN AUD+	Input Audio Positive
TB1-4	IN AUD-	Input Audio Negative
TB1-5	OUT AUD+	Output Audio Positive
TB1-6	OUT AUD-	Output Audio Negative
TB1-7	OUT CT1+	Output Control Positive
TB1-8	OUT CT1-	Output Control Negative

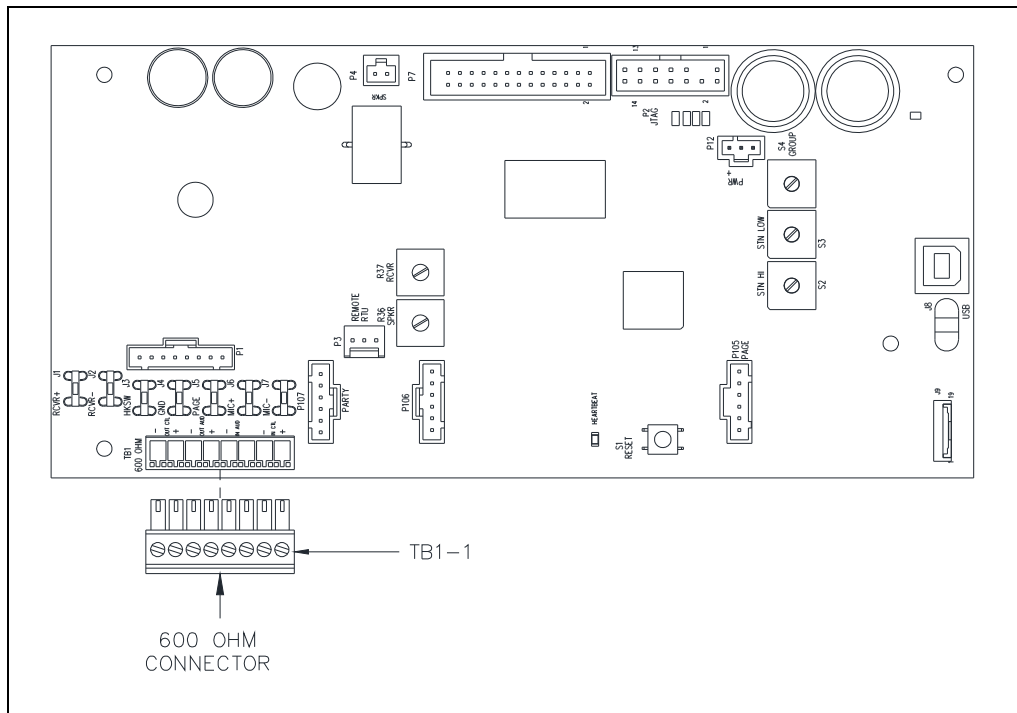


Figure 7. SP2 Main PCBA (POE)

POE Interface PCBA

The POE interface PCBA is on top of the main PCBA. Terminate the Ethernet cable to terminal block TB1 on the POE interface PCBA (see Figure 8):

1. Pull a dedicated Category 5e or better Ethernet into the rear enclosure.
Maximum POE cable length is 100 m.
2. Install ferrules onto the wire ends.
3. Connect the Ethernet cable to the 8-position pluggable terminal block (see Table 5).
4. Connect the pluggable terminal block to the POE interface PCBA (see Figure 8).
5. Connect the other end of the Ethernet cable to an 802.af (POE) or 802.at (POE Plus) compliant switch.

NOTE: SP2 stations require shielded Ethernet cable or metallic conduit.

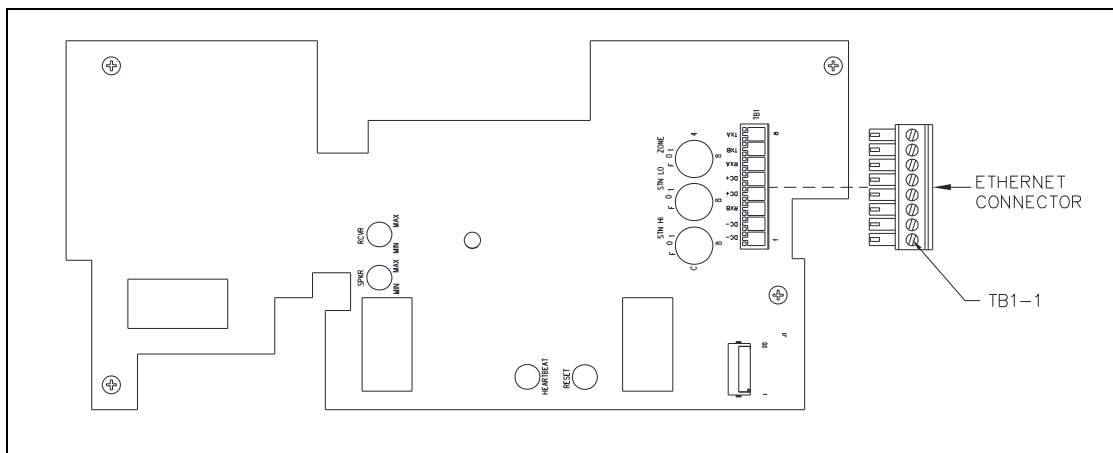


Figure 8. POE Interface PCBA

Table 5. Ethernet Connection—TB1

Pin	Label	Description
TB1-1	DC-	Negative dc voltage
TB1-2	DC-	Negative dc voltage
TB1-3	RXB	Data Receive -
TB1-4	DC+	Positive dc voltage
TB1-5	DC+	Positive dc voltage
TB1-6	RXA	Data Receive +
TB1-7	TXB	Data Transmit -
TB1-8	TXA	Data Transmit +

Settings and Adjustments

Open the Station

1. Remove the four screws from the front panel and turn it to the left so that the interior surface faces out.
2. Keep the wiring and ribbon cables connected.

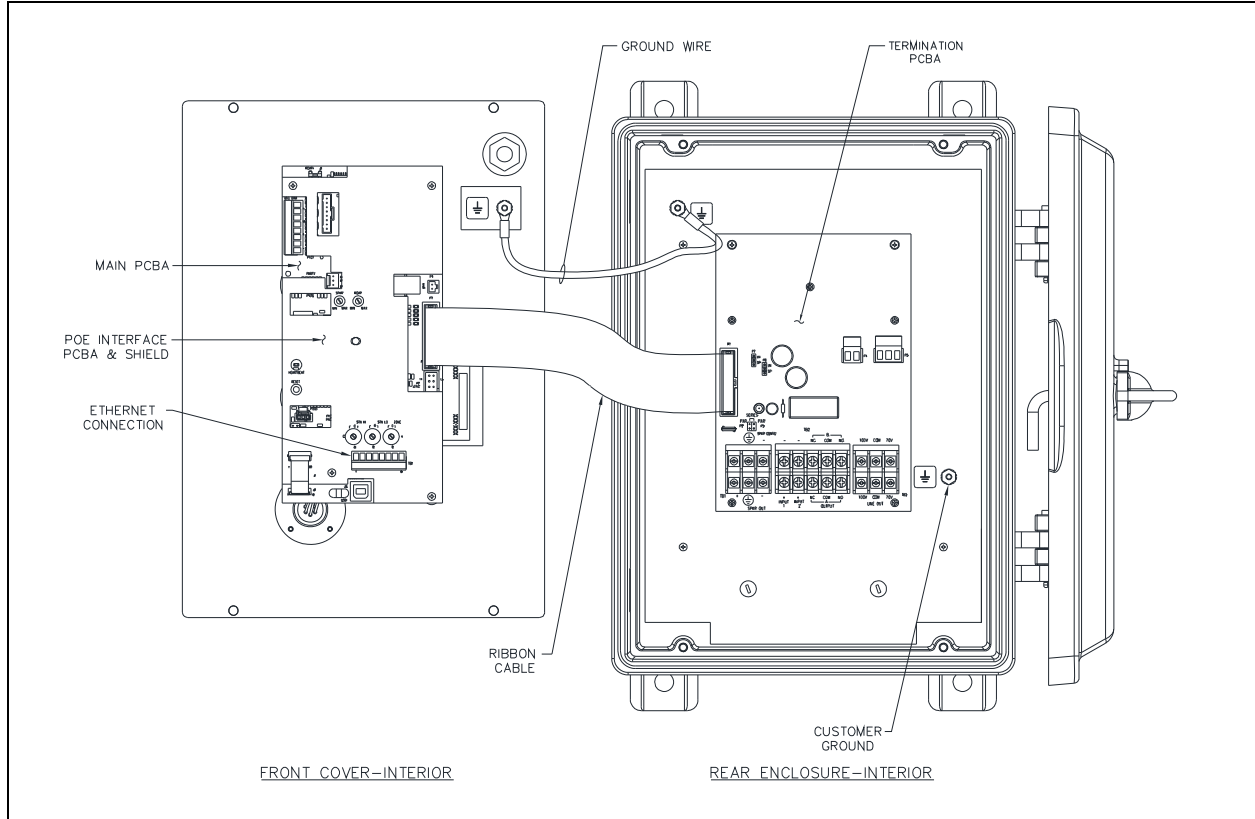


Figure 9. SP2 Weatherproof POE Station—Interior View

Main PCBA Configuration

Refer to [Figure 10](#) for switch, jumper, and LED locations on the main PCBA.

Write Protect (EEPROM) Jumper

NOTE: Do NOT change this jumper in the field.

WDOG Enable (Watchdog) Jumper

Watchdog jumper, P11, enables a watchdog feature for software purposes. Do not adjust this jumper in the field. The default setting is shorted.

Boot Enable Jumper

Jumper P8 – BOOT, is for development purposes only. Do not adjust this jumper in the field. The default setting for this jumper is open.

Reset Switch

Reset switch, S1 reboots the station to its initial state. All configuration settings remain programmed.

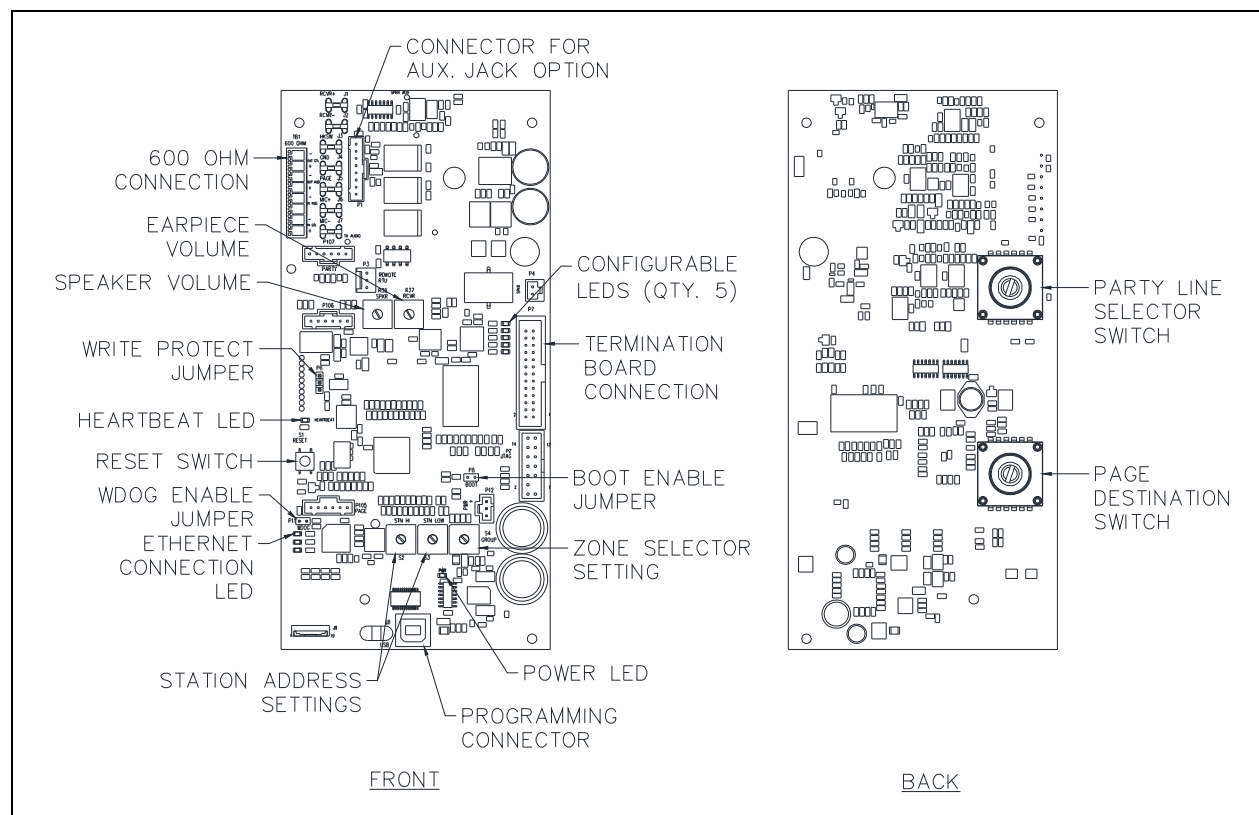




Figure 10. Main PCBA (Front and Rear Views)

Speaker and 600-ohm Audio Output Volume

The speaker volume potentiometer, R36, adjusts the signal level to the speaker from the page line (see [Figure 10](#)). When 600-ohm audio is also connected, R36 adjusts the volume for both. Use the CLI (Command Line Interface) to configure the output level when using 600-ohm audio without external speakers. The default setting is 4 watts from an 8-ohm speaker and 2 watts from a 16-ohm speaker.

 **WARNING**  —Maximum output power may exceed rated speaker wattage resulting in speaker damage.

To adjust the speaker or speaker and 600-ohm output volume:

1. Turn the SPKR speaker volume potentiometer R36 fully counterclockwise.

The speaker emits an audible test-tone.

2. Slowly turn R36 clockwise to obtain the desired output volume.

The test-tone ceases three seconds after making no adjustments.

This setting is also configurable via USB or Ethernet connection using the CLI.

NOTE: Configuring this setting with the SP2 Console in a mutually provisioned system overrides this setting on the station. See the SP2 Configuration Guide, Pub. 42004-784 (see the [Reference Documentation](#) section).

Receiver Volume

Use the receiver volume potentiometer, R37, to adjust the volume for the handset or optional headset (see [Figure 10](#)):

1. Remove the handset from the cradle.
2. Turn the RCVR potentiometer, R37, fully counterclockwise.

The receiver emits an audible test-tone.

3. Slowly turn R37 clockwise to obtain the desired output volume.

The test-tone ceases three seconds after making no adjustments.

This setting is also configurable via USB or Ethernet connection using the CLI.

NOTE: Configuring this setting with the SP2 Console in a mutually provisioned system overrides this setting on the station. See the SP2 Configuration Guide, Pub. 42004-784 (see the [Reference Documentation](#) section).

Group and Station Number Selector Switches

One group-number and two station-number hex-selector switches are used to configure SP2 stations for *mutual provisioning* (see [Figure 10](#)). Each hex switch has a small arrow that indicates the current setting.

1. Adjust the position of the group-number selector switch to the desired group [0-F].
2. Adjust the two station-number switches to assign the station number [00–FF].

NOTE: Do NOT assign the same group/station number to more than one station.

Configure at least one SP2 station as a *master station* to utilize *mutual provisioning* in an SP2 system. Master stations must be assigned addresses [0.01], [0.02], or [0.03] using the selector switches. Master station(s) store the configuration of all SP2 stations on the network. As SP2 stations power on, they retrieve the mutual provisioning configuration from the master station. See Publication 42004-784, SP2 Configuration Guide, for detailed information on configuring SP2 stations and SP2 system mutual provisioning. (see the [Reference Documentation](#) section).

Main PCBA Indicators

Power LED

The power LED illuminates when power is applied to the station, indicating the main board power supply is operational (see [Figure 10](#)).

Heartbeat LED

The heartbeat LED flashes after the microprocessor is operational (see [Figure 10](#)). It flashes once per second to indicate normal operation and 250 ms on/off when the station detects a fault.

Ethernet Connection LEDs

Three Ethernet connection LEDs are located on the main PCBA; Link (LNK), Link Speed (SPD), and Activity (ACT). The LNK LED is blue, the SPD LED is green, and the ACT LED is yellow. The LNK and SPD LEDs indicate an active 100 Mbps Ethernet link when **off**. The activity LED, ACT, blinks yellow to indicate Ethernet data activity (see [Figure 10](#)).

Five Configurable LEDs

Configure the five LEDs (see [Figure 10](#)) through firmware. Information for configuring these LED indicators is in the SP2 Configuration Guide, Pub. 42004-784 (see the [Reference Documentation](#) section).

Front Cover Installation

After all adjustments are complete:

1. Place the front cover onto the rear enclosure
Do not pinch any cables.
2. Secure the front cover using the four screws and washers provided.
3. Torque the screws to 50 in·lb (5.65 N·m).

Programming

SP2 stations are factory configured to provide basic Page/Party[®] functions upon power-up. Configure stations for custom operation and/or larger system designs using the CLI or SP2 Console application. Refer to Publication 42004-784, SP2 Configuration Guide (see the [Reference Documentation](#) section).

Operation

Standard Handset Paging

Complete the following steps to make a page announcement from an SP2 handset station:

1. Lift the handset from the cradle.
2. *If requesting conversation:* rotate the five-position selector switch (if equipped) to select an unoccupied party line.
3. Press and hold the handset pressbar (not necessary when using the optional ALL-CALL button).
4. After hearing the short *preannouncement* tone (if configured), speak directly into the microphone to broadcast the page/announcement.

NOTE: SP2 stations incorporate a noise-canceling microphone to reduce transmitted ambient noise. This requires the user to place the microphone as close as possible to their mouth.

5. *If requesting conversation:*
 1. Designate the party line selected in Step 2.
 2. Release the handset pressbar.
 3. Wait for the designated individual(s) to respond.

Full-duplex communication takes place on the party line without broadcasting over the system's speakers.

6. Replace the handset in the cradle.

Party Line Communication

To respond to a page:

1. Turn the selector switch on any SP2 station in the system to the requested party line.
2. Pick up the station handset.

Full-duplex communication takes place on the party line without broadcasting over the system's speakers.

NOTE: SP2 stations incorporate a noise-canceling microphone to reduce transmitted ambient noise. This requires the user to place the microphone as close as possible to their mouth.

3. Return the handset to the cradle following the party line conversation.

The system speakers do not broadcast party line conversations. Other individuals can join the conversation at any time by picking up a handset and rotating the party-line selector switch to the party line in use.

All-Call Button Use

Use the ALL-CALL button to page an alternate destination that is programmed for the station (see [Figure 11](#)). The All-Call option must be software configured for the SP2 station. To initiate a page using the ALL-CALL feature:

1. Lift the handset from the cradle.
2. *If requesting conversation*: rotate the selector switch to an unoccupied party line.
3. Press and hold the ALL-CALL button.

The ALL-CALL button eliminates the need to press the handset or headset (if equipped) pressbar.

4. After hearing the short *preannouncement* tone (if configured), speak directly into the microphone to broadcast the page/announcement.

NOTE: SP2 stations incorporate a noise-canceling microphone to reduce transmitted ambient noise. This requires the user to place the microphone as close as possible to their mouth.

5. Release the ALL-CALL button and wait for a response on the party line (if requested).
6. Return the handset to the cradle when finished.

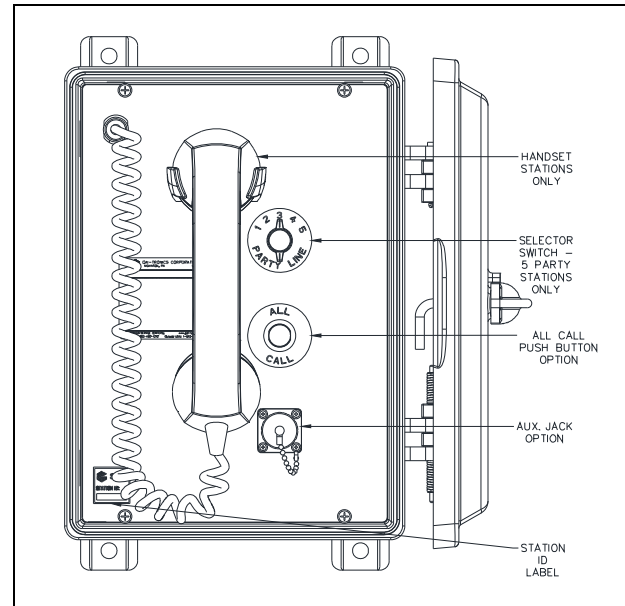


Figure 11. All-Call Button Option

Alternate-Page Destination Switch Use

Use the ALT-PAGE selector switch to page one of five alternate destinations programmed for the station (see [Figure 12](#)). Alternate page destinations must be software configured for the SP2 station. To initiate a page using the ALL-CALL feature:

1. Lift the handset from the cradle.
2. *If requesting conversation:* rotate the party-line selector switch to an unoccupied party line.
3. Select the desired page destination using the ALT-PAGE selector switch.
4. Press and hold the handset pressbar.
5. After hearing the short *preannouncement* tone (if configured), speak directly into the microphone to broadcast the page/announcement.

NOTE: SP2 stations incorporate a noise-canceling microphone to reduce transmitted ambient noise. This requires the user to place the microphone as close as possible to their mouth.

6. Release the handset pressbar.
7. Return the handset to the cradle or wait for a response on the party line (if requested).

Headset Use

Initiate a call with the optional headset feature as follows:

1. Attach the headset assembly to the auxiliary jack on the station (see [Figure 11](#) or [Figure 12](#)).
2. *If requesting conversation:* rotate the party-line selector switch (if equipped) to an unoccupied party line.
3. Rotate the ALT-PAGE selector switch (if available) or press the ALL-CALL button (if available) to select the desired optional destination for the page announcement.
4. Press and hold the headset pressbar (not necessary when using the optional ALL-CALL button).
5. After hearing the short *preannouncement* tone (if configured), speak directly into the microphone to broadcast the page/announcement.
6. Release the headset pressbar.
7. Wait for a response on the party line (if requested).

NOTE: For stations with an auxiliary jack, the Model 10401-201 Headset and Model 10416-103 Extension Cord allow the user to be hands-free and mobile while maintaining communication. Connecting the headset disables the handset microphone.

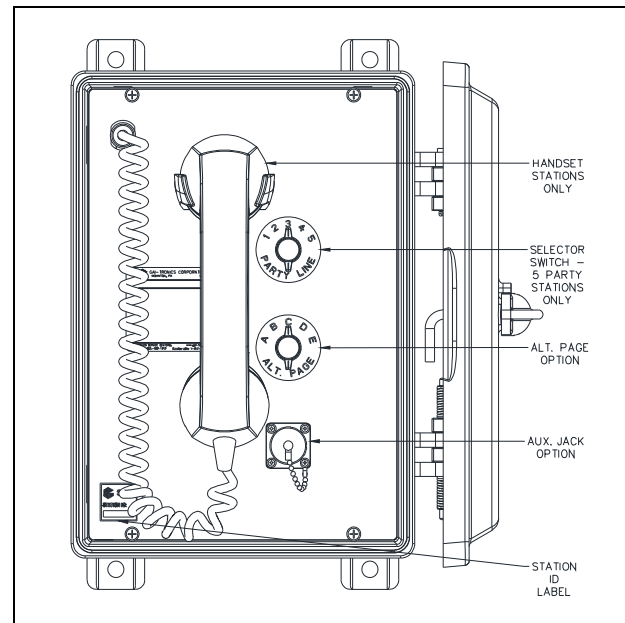


Figure 12. Alternate-Page Switch Option

Maintenance

Troubleshooting

The following table provides aid for qualified service personnel in troubleshooting problems with SP2 stations.

Problem	Solution
station not functional	<ul style="list-style-type: none"> • check wiring and cable terminations • check the POE setting on the Ethernet switch • Power LED on main PCBA illuminated • Heartbeat LED blinking once per second for normal operation
network communication not functional	<ul style="list-style-type: none"> • verify LNK LED on main PCBA is off • verify SPD LED on main PCBA is off • verify IP connection settings using telnet • ping station IP address from an admin PC • verify network switch settings for IGMP (Internet Group Management Protocol) snooping and multicast filtering
handset receiver audio too high/low	<ul style="list-style-type: none"> • adjust the <u>receiver volume</u> • check potentiometer R37 setting • check handset connections • check cable terminations between the termination and main PCBAs • check hookswitch operation • replace handset
speaker volume too high/low	<ul style="list-style-type: none"> • adjust the <u>speaker and 600-ohm audio output volume</u> • check potentiometer R36 setting • P2 and P3 termination PCBA jumper positions incorrect (see <u>Figure 5</u>) • check speaker wiring configuration on TB1 • replace the speaker or driver
RTU output not functional	<ul style="list-style-type: none"> • verify no output faults exist • check connected device operation
RTU input not functional	<ul style="list-style-type: none"> • verify no input faults exist • Check <u>RTU Inputs</u> on TB2 • check operation of connected device

Service and Spare Parts

Contact GAI-Tronics’ regional service center for an RA# (return authorization number) if the equipment requires service. Ship equipment prepaid to GAI-Tronics with an RA# and a purchase order number. Repairs or a replacement are made in accordance with GAI-Tronics’ warranty policy, if the equipment is under warranty. Please include a written explanation of all defects to assist our technicians in their troubleshooting efforts. Call 800-492-1212 inside the USA or 610-777-1374 outside the USA for help with identifying the closest regional service center.

Table 6. Replacement Parts

Part No.	Description
12508-002	Screw Kit (Qty. 32)

Reference Documentation

GAI-Tronics’ product documentation is on the GAI-Tronics website at <https://www.gai-tronics.com>.

SP2 Configuration Guide 42004-784

Specifications

Power Consumption

POE, IEEE802.3af Class 0..... 4 W/12.95 W (idle/maximum)

POE Plus, IEEE 802.3at Class 4 4 W/ 25.5 W (idle/maximum)

Ethernet

Cable Category 5e or better

Speed..... 100 Mbps

Maximum stations..... 4096

Maximum cable length 100 m

RTU

Input Control

Switch type..... NO or NC dry contacts

Cable resistance 100 Ω maximum loop resistance

Contact closure resistance 1 kΩ maximum

Output Control

Maximum load current..... 8 A

Maximum in-rush current 15 A

Maximum voltage 250 V ac

Audio**Handset**

Microphone dynamic, noise-canceling
 Receiver dynamic, hearing aid compatible
 Cord retractile, 6-foot extended, PVC
 Material ABS

Handset Amplifier

Frequency response..... 250–3,000 Hz, +0/–3 dB ref. to 1 kHz
 Distortion <1.5% THD @ 1 kHz
 Receiver level..... 200 mV nominal, adjustable 100–350 mV

Headset Earpiece

Level 125 mV nominal, adjustable 50–200 mV

Speaker Amplifier

Maximum output:

8-ohm speaker*

POE Plus..... 14 W +/-1.0 dB into 8-Ω load with –6 dBFs data signal, default: 4 W @ 8 Ω

POE 6 W +/-1.0 dB into 8-Ω load with –6 dBFs data signal, default 4 W @ 8 Ω

16-ohm speaker*.....

POE Plus..... 7 W +/-1.0 dB into 16-Ω load with –6 dBFs data signal, default: 2 W @ 16 Ω

POE 3 W +/-1.0 dB into 8 Ω load with –6 dBFs data signal, default: 2 W @ 16 Ω

* 100 m maximum cable length with minimum category 5e Ethernet cable.

Frequency response..... 250–3,000 Hz, +0/–3 dB ref. to 1 kHz

Distortion <3% THD @ 1 kHz to 14 W

600-ohm Audio Input

Audio Level 1 V_{RMS} maximum

Control type NO dry contact

Control cable resistance 1 kΩ maximum loop resistance

600-ohm Audio Output

Frequency response..... 250–3,000 Hz, +0/–3 dB reference to 1 kHz

Distortion <1% THD @ 1 kHz to 1 V_{RMS} into 600 Ω

Audio level..... adjustable 100 mV_{RMS} to 1 V_{RMS} into 600 Ω

Control type NO solid-state output, maximum on resistance; 35 Ω

Control maximum load current..... 100 mA

Control maximum load voltage..... 24 V ac/dc

Mechanical

Construction/finish..... engineered glass-reinforced plastic

Mounting..... wall or column, four 0.44-inch (11 mm) mounting holes

Termination connections..... screw-type barrier terminal blocks for speaker and RTU

Phoenix connector pluggable terminal for Ethernet and 600 Ω audio

Enclosure Dimensions 14.2 H × 10.9 W × 10.5 D in (371 × 276 × 267 mm)

External controls

Multi-party stations handset hookswitch and party line selector switch

Multi-page stations page line selector switch

Net weight..... standard amplifier: 11.0 lb

multi-party and options stations: 12.0 lb

Shipping weight standard amplifier: 12.0 lb

multi-party and options stations: 13.0 lb

Environmental

Temperature range (operation and storage) -22 °F to 140 °F (-30 °C to 60 °C)

Humidity 95% non-condensing

Outdoor environmental rating Type 3R, Type 4X with door closed

Approvals

Electrical Safety UL60950

CAN/CSA-22.2 No. 60950

Warranty

Equipment. GAI-Tronics warrants for a period of one (1) year from the date of shipment, that any GAI-Tronics equipment supplied hereunder shall be free of defects in material and workmanship, shall comply with the then-current product specifications and product literature, and if applicable, shall be fit for the purpose specified in the agreed upon quotation or proposal document. If (a) Seller's goods prove to be defective in workmanship and/or material under normal and proper usage, or unfit for the purpose specified and agreed upon, and (b) Buyer's claim is made within the warranty period set forth above, Buyer may return such goods to GAI-Tronics nearest depot repair facility, freight prepaid, at which time they will be repaired or replaced, at Seller's option, without charge to Buyer. Repair or replacement shall be Buyer's sole and exclusive remedy. The warranty period on any repaired or replacement equipment shall be the greater of the ninety (90) day repair warranty or one (1) year from the date the original equipment was shipped. In no event shall GAI-Tronics warranty obligations with respect to equipment exceed 100% of the total cost of the equipment supplied hereunder. Buyer may also be entitled to the manufacturer's warranty on any third-party goods supplied by GAI-Tronics hereunder. The applicability of any such third-party warranty will be determined by GAI-Tronics.

Services. Any services GAI-Tronics provides hereunder, whether directly or through subcontractors, shall be performed in accordance with the standard of care with which such services are normally provided in the industry. If the services fail to meet the applicable industry standard, GAI-Tronics will re-perform such services at no cost to buyer to correct said deficiency to Company's satisfaction provided any and all issues are identified prior to the demobilization of the Contractor's personnel from the work site. Re-performance of services shall be Buyer's sole and exclusive remedy, and in no event shall GAI-Tronics warranty obligations with respect to services exceed 100% of the total cost of the services provided hereunder.

Warranty Periods. Every claim by Buyer alleging a defect in the goods and/or services provided hereunder shall be deemed waived unless such claim is made in writing within the applicable warranty periods as set forth above. Provided, however, that if the defect complained of is latent and not discoverable within the above warranty periods, every claim arising on account of such latent defect shall be deemed waived unless it is made in writing within a reasonable time after such latent defect is or should have been discovered by Buyer.

Limitations / Exclusions. The warranties herein shall not apply to, and GAI-Tronics shall not be responsible for, any damage to the goods or failure of the services supplied hereunder, to the extent caused by Buyer's neglect, failure to follow operational and maintenance procedures provided with the equipment, or the use of technicians not specifically authorized by GAI-Tronics to maintain or service the equipment. **THE WARRANTIES AND REMEDIES CONTAINED HEREIN ARE IN LIEU OF AND EXCLUDE ALL OTHER WARRANTIES AND REMEDIES, WHETHER EXPRESS OR IMPLIED BY OPERATION OF LAW OR OTHERWISE, INCLUDING ANY WARRANTIES OF MERCHANTABILITY OR FITNESS FOR A PARTICULAR PURPOSE.**

Return Policy

If the equipment requires service, contact your Regional Service Center for a return authorization number (RA#). Equipment should be shipped prepaid to GAI-Tronics with a return authorization number and a purchase order number. If the equipment is under warranty, repairs or a replacement will be made in accordance with the warranty policy set forth above. Please include a written explanation of all defects to assist our technicians in their troubleshooting efforts.

Call 800-492-1212 (inside the USA) or 610-777-1374 (outside the USA) for help identifying the Regional Service Center closest to you.